



LESU
MODEL RACING

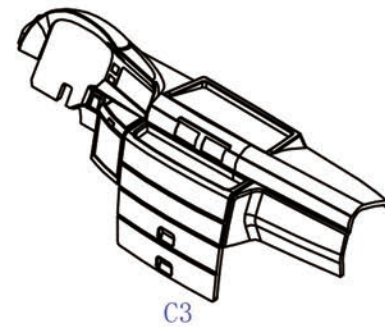
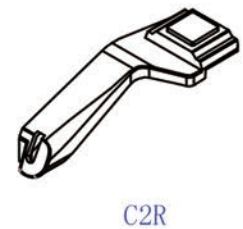
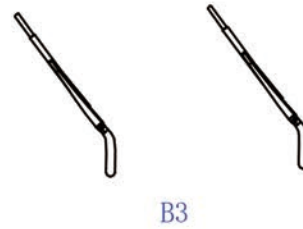
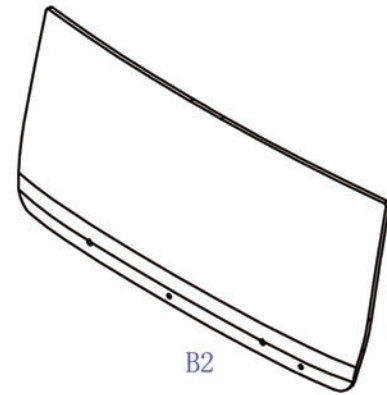
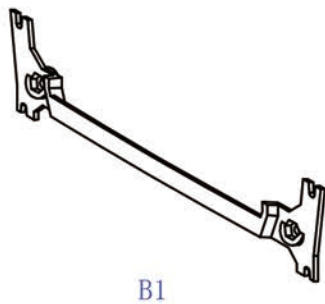
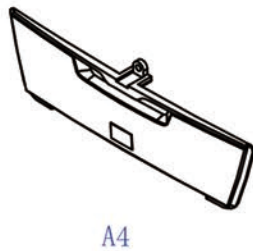
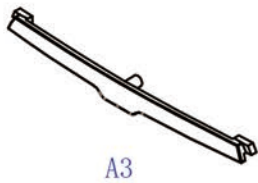
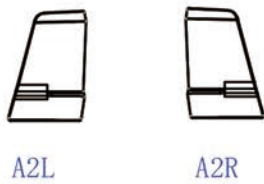
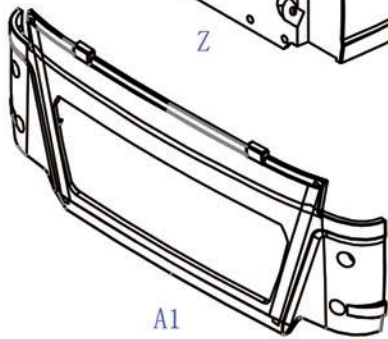
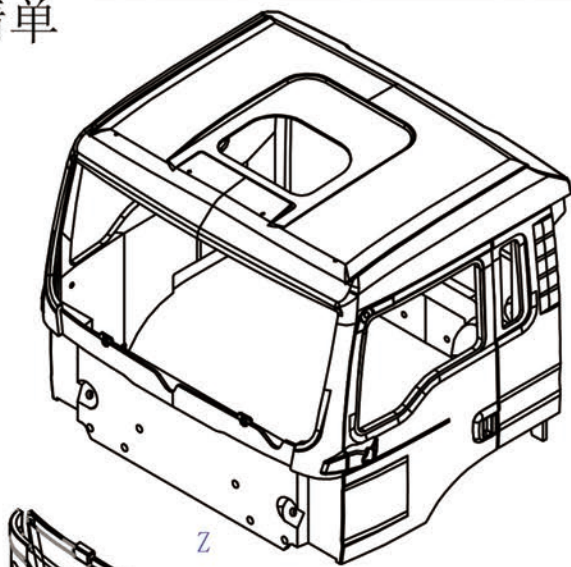
1/14

MAN-TGS车壳安装说明书

MAN-tgs car shell installation instructions



物料清单





C5



H1



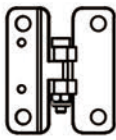
D1L



D1R



H2



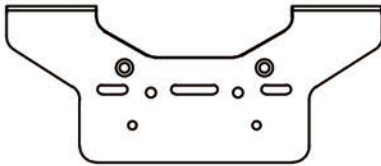
E1 x2



I1L



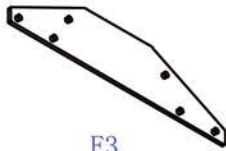
I2L



E2



I2 x2



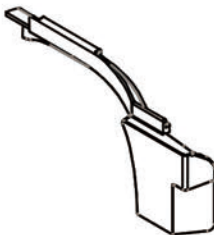
E3



I3 x4



F1R



F1L



I4L



I4R



I5L



I5R



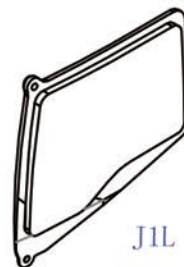
I6L



I6R



G1



J1L



J1R





K1



S1



S2



K2L



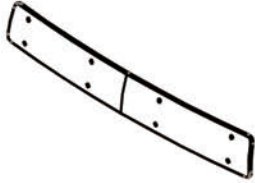
K2R



S3L

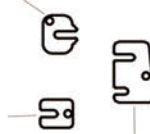


S3R



L1

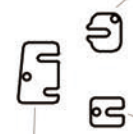
S4L



S5L

S6L

S4R



S5R

S6R



L2L(短)
(往凹槽处折弯)
(bend it to the groove)



L3L(长)
(Long)



L2R(短)
(Short)



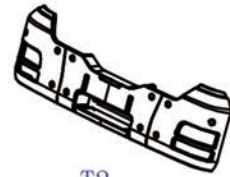
L3R(长)
(Long)



T1L



T1R



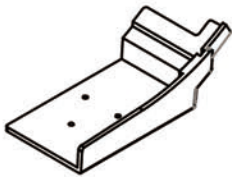
T2



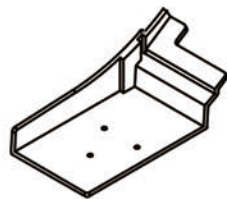
P1 × 2



P2 × 2



Q1L



Q1R



U1L



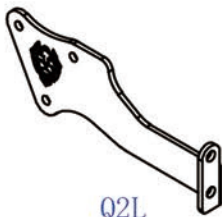
U1R



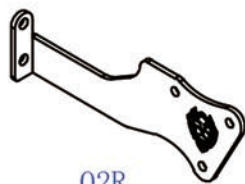
U2L



U2R



Q2L




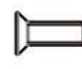




Q2R

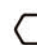


V2 × 2



		半圆头M2-3 ×20 Half Round Head M2-3
		半圆头M2-4 ×13 Half Round Head M2-4
		半圆头M3-4 ×2 Half Round Head M3-4
		半圆头M3-6 ×3 Half Round Head M3-6
		半圆头M3-8 ×6 Half Round Head M3-8
		半圆头M3-12 ×2 Half Round Head M3-12

		沉头M2-6 ×4 FLAT M2-6
		沉头M2-8 ×2 FLAT M2-8
		沉头M3-4 ×4 FLAT M3-4

		外六角M1.2-3 ×1 Outer Hexagon M1.2-3
		外六角M1.2-4 ×8 Outer Hexagon M1.2-4
		外六角M1.2-6 ×6 Outer Hexagon M1.2-6
		外六角M1.6-4 ×4 Outer Hexagon M1.6-4

		杯头M2-6 ×1 Socket Cap Screw M2-6
		杯头M2-8 ×3 Socket Cap Screw M2-8

	M1.2六角螺母 ×14 M1.2 Hexagon Nuts
	M2六角螺母 ×13 M2 Hexagon Nuts
	M3六角螺母 ×2 M3 Hexagon Nuts

		外六角法兰M2-4 ×6 Outer Hexagon Flange M2-4
--	---	---

套件不包含安装过程中所需要的胶水以及各灯珠。

This kit doesn't contain the glue and lights required for installation.

1

图中胶水不包含在套件内。
This kits doesn't contain glue as in the picture.



M2六角螺母 ×4
M2 Hexagon Nut



半圆头M2-3 ×8
Half Round Head M2-3



I1L



I2L



I2 × 2



I3 × 4



I4L



I4R



I5L



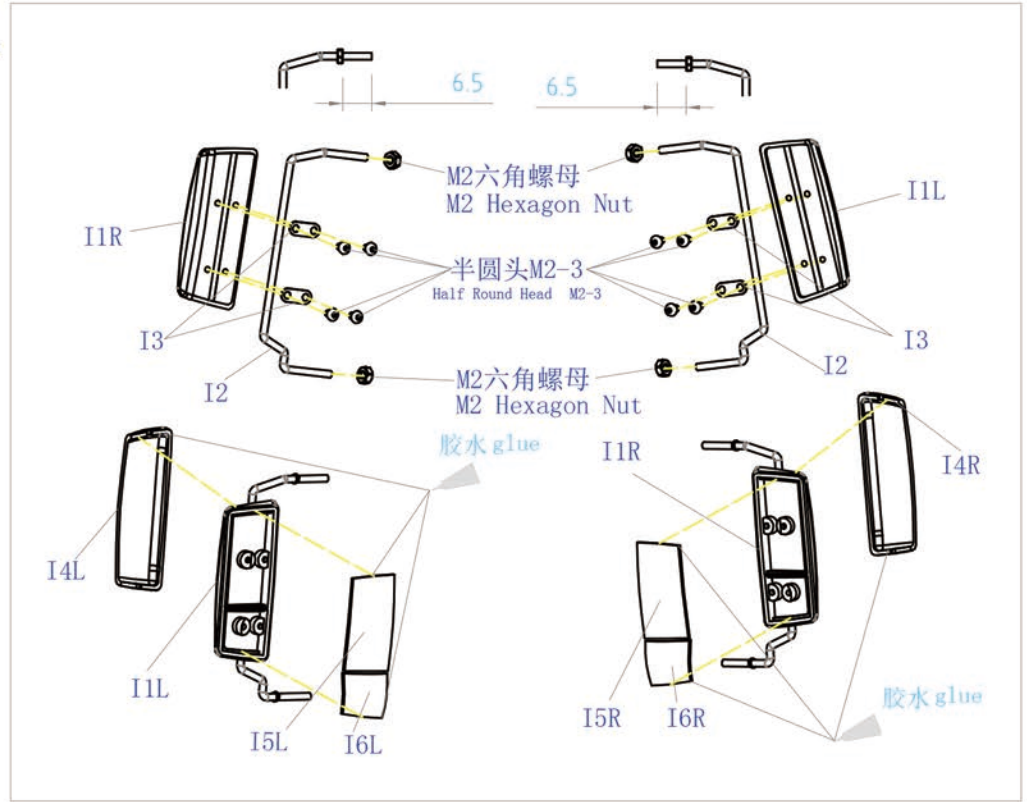
I5R



I6L



I6R

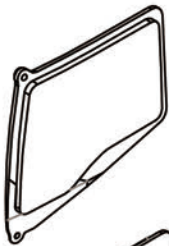


2

图中胶水不包含在套件内。
This kits doesn't contain glue as in the picture.



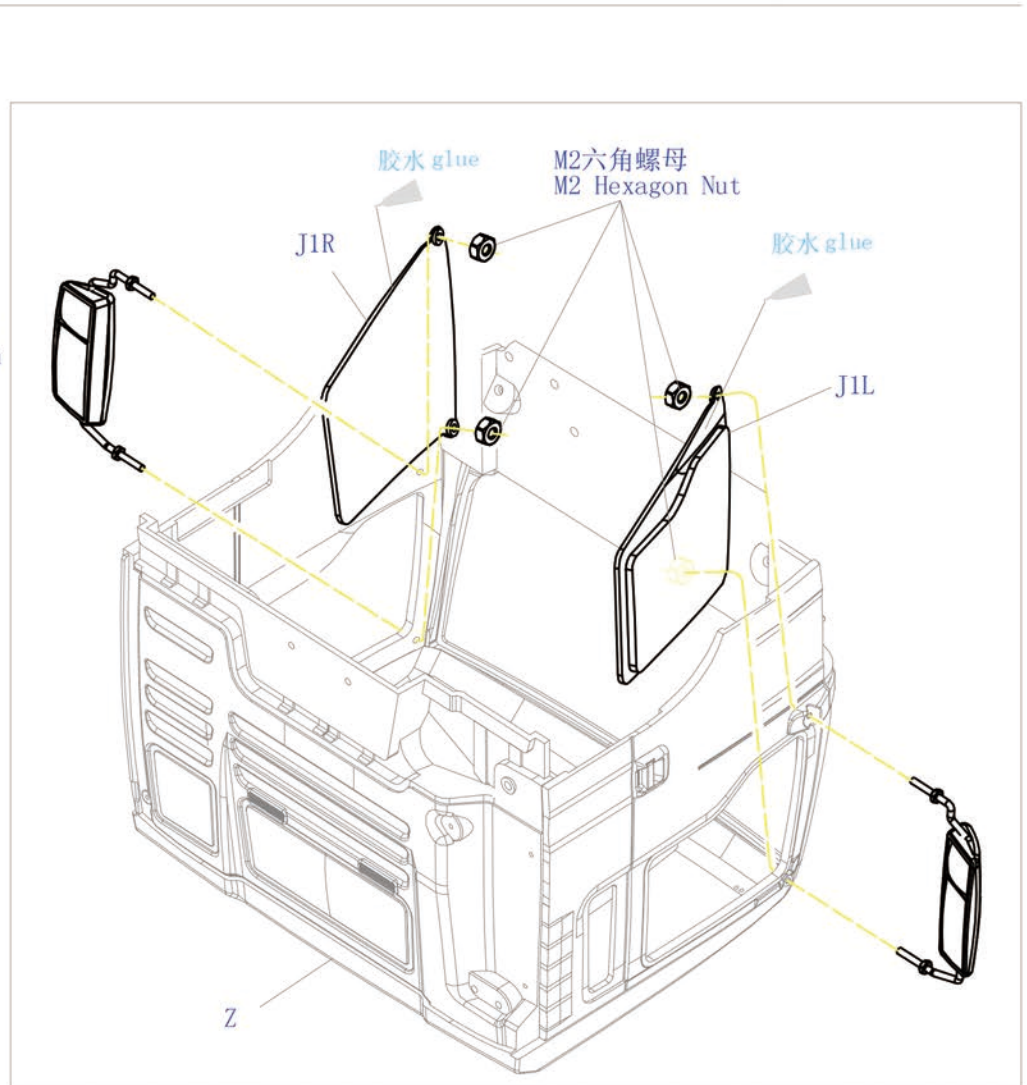
M2六角螺母 ×4
M2 Hexagon Nut



J1L



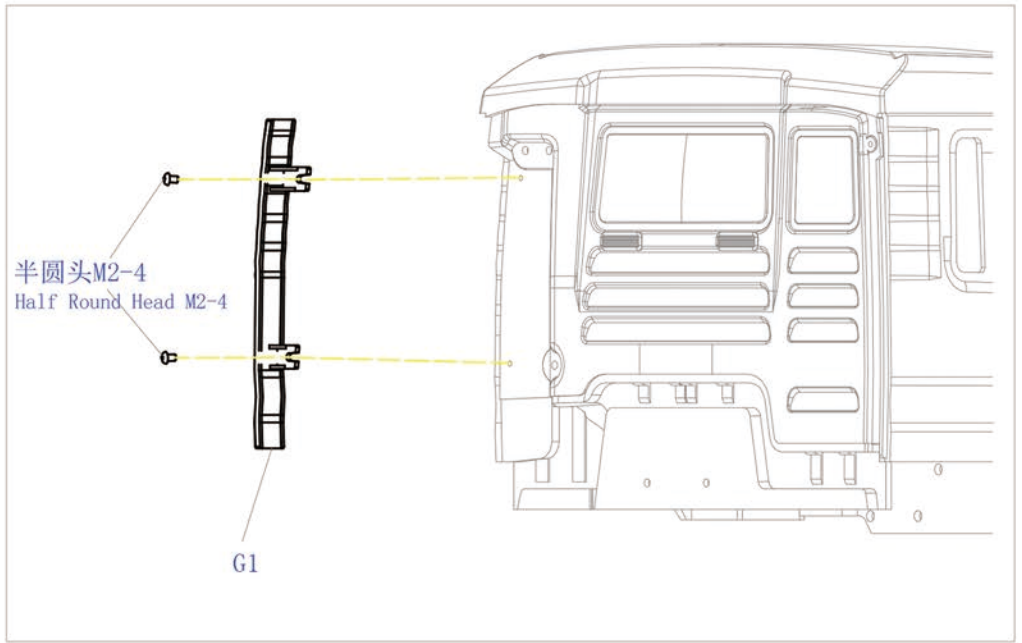
J1R



LESU
MODEL RACING

3

半圆头M2-4 ×2
Half Round Head M2-4

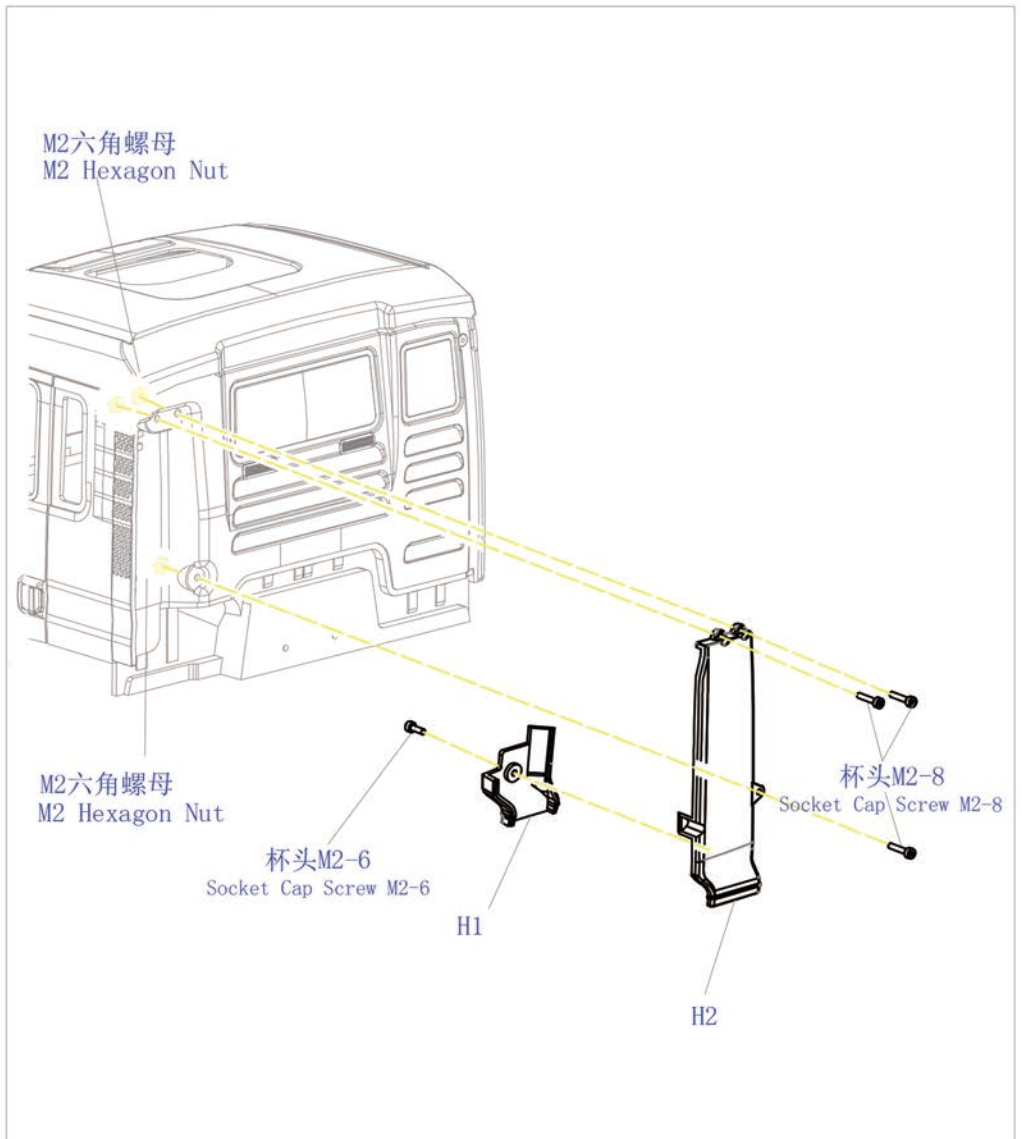
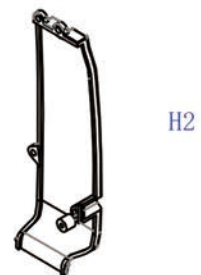


4

M2六角螺母 ×3
M2 Hexagon Nut

杯头M2-6 ×1
Socket Cap Screw M2-6

杯头M2-8 ×3
Socket Cap Screw M2-8



5

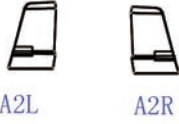
图中胶水不包含在套件内。
注意清理A3两侧的水口。

This kits doesn't contain
glue as in the picture.

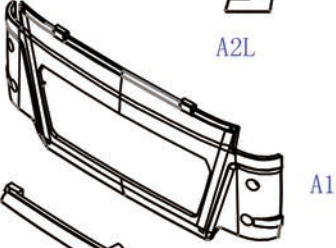
Please pay attention to
cleaning the parts on the
both sides of A3.



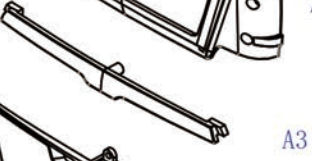
半圆头M2-4 ×5
Half Round Head M2-4



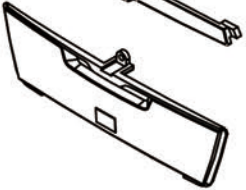
A2L A2R



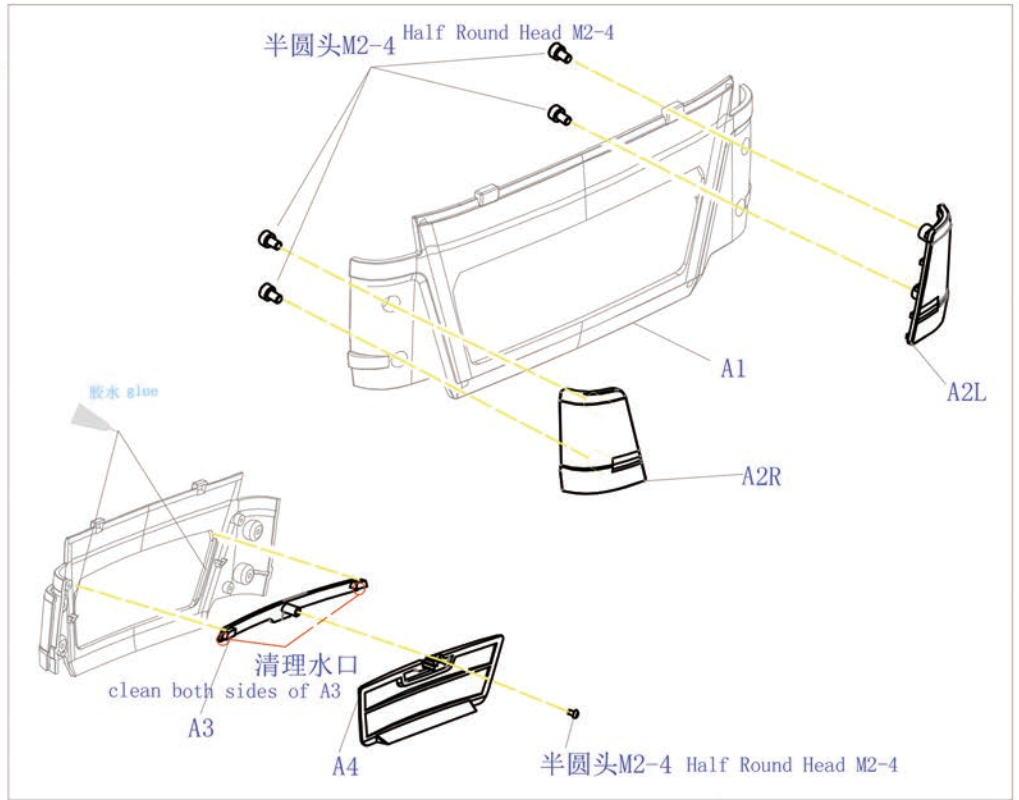
A1



A3



A4



6

图中胶水不包含在套件内。
This kits doesn't contain
glue as in the picture.



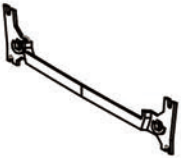
M2六角螺母 ×2
M2 Hexagon Nut



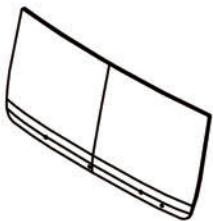
M3六角螺母 ×2
M3 Hexagon Nut



半圆头M2-4 ×6
Half Round Head M2-4



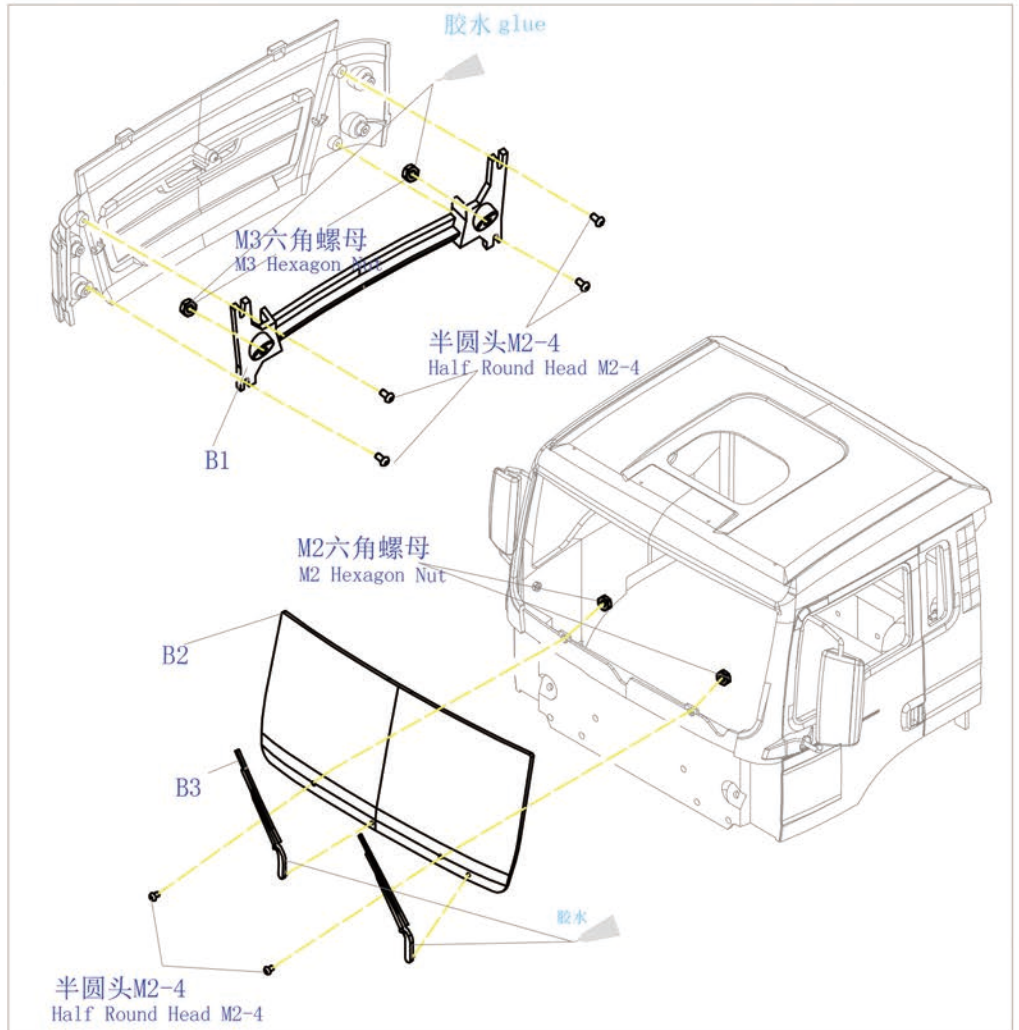
B1



B2



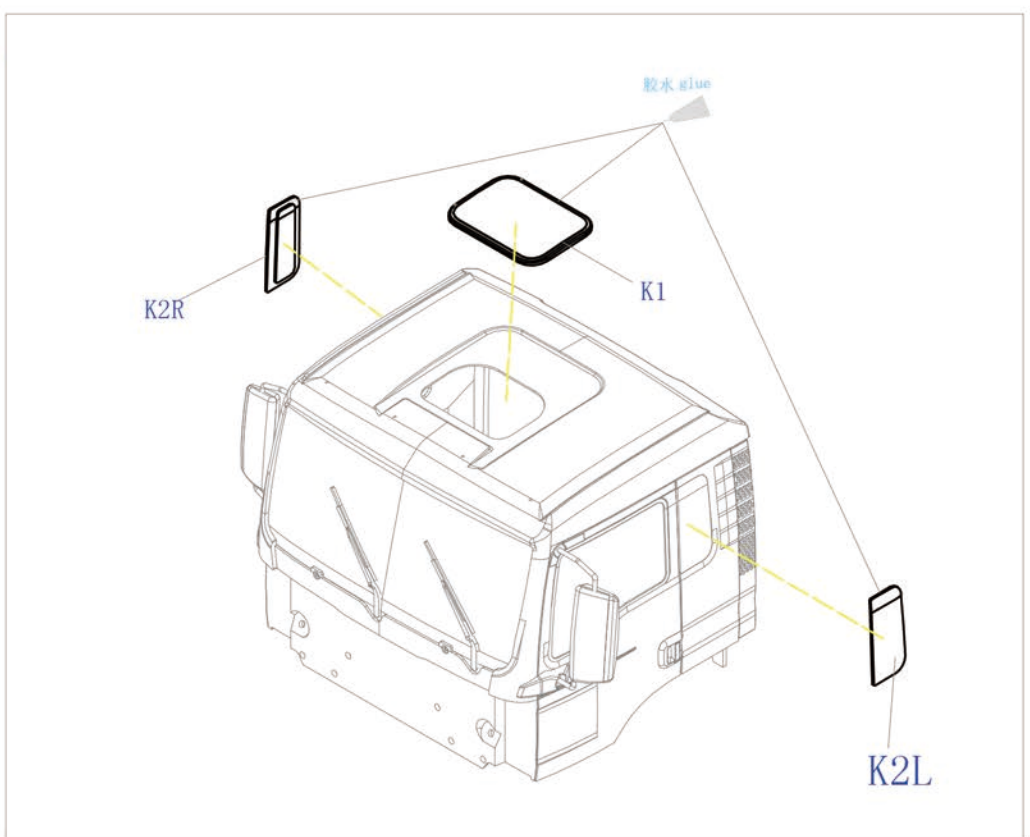
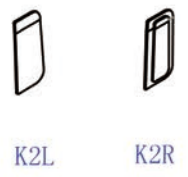
B3






LESU
MODEL RACING

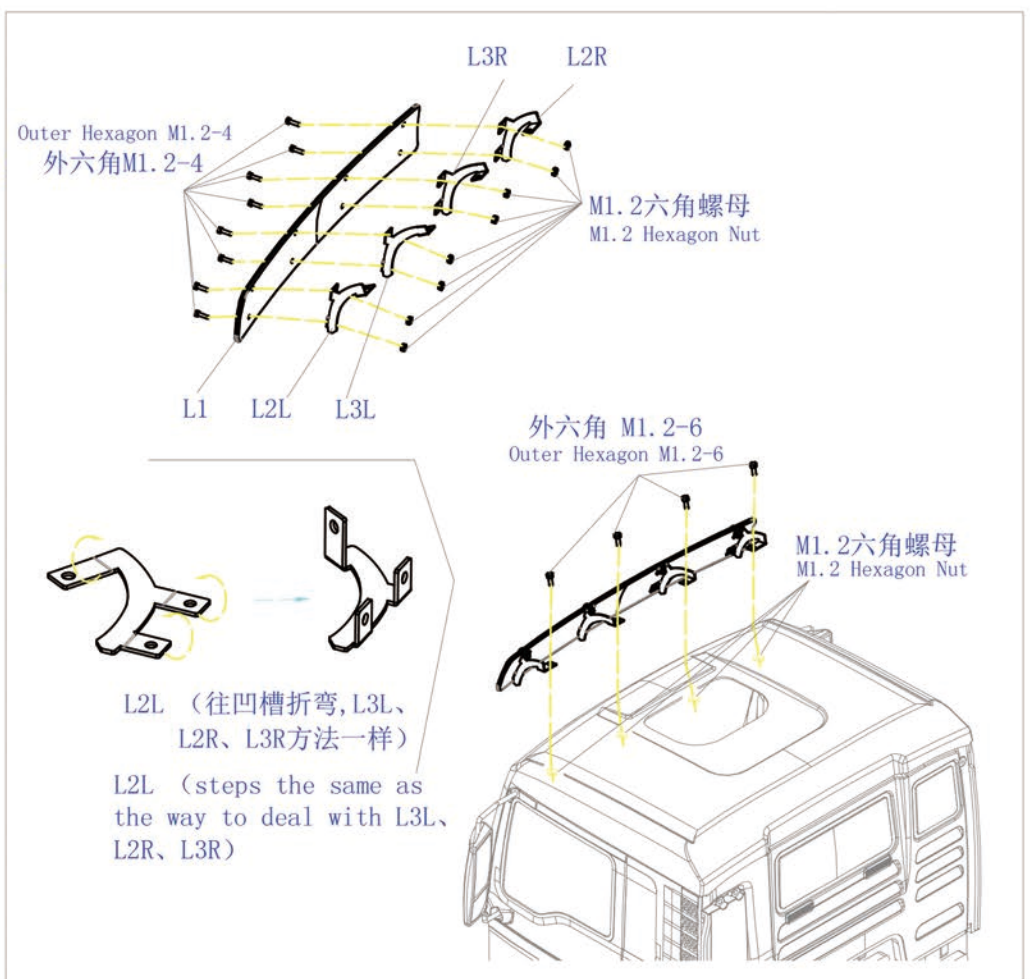
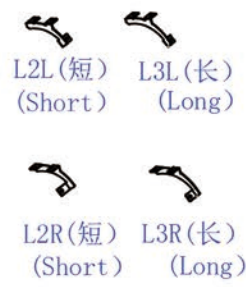
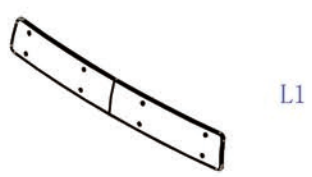
7

图中胶水不包含在套件内。
This kits doesn't contain glue as in the picture.



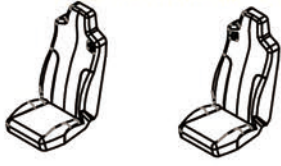
8

-  外六角M1.2-4 ×8
Outer Hexagon M1.2-4
-  外六角M1.2-6 ×4
Outer Hexagon M1.2-6
-  M1.2六角螺母 ×12
M1.2 Hexagon Nut



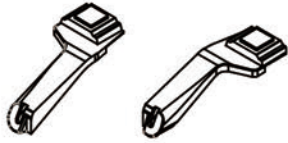
9

图中胶水不包含在套件内。
This kits doesn't contain glue as in the picture.



C1L

C1R



C2L

C2R



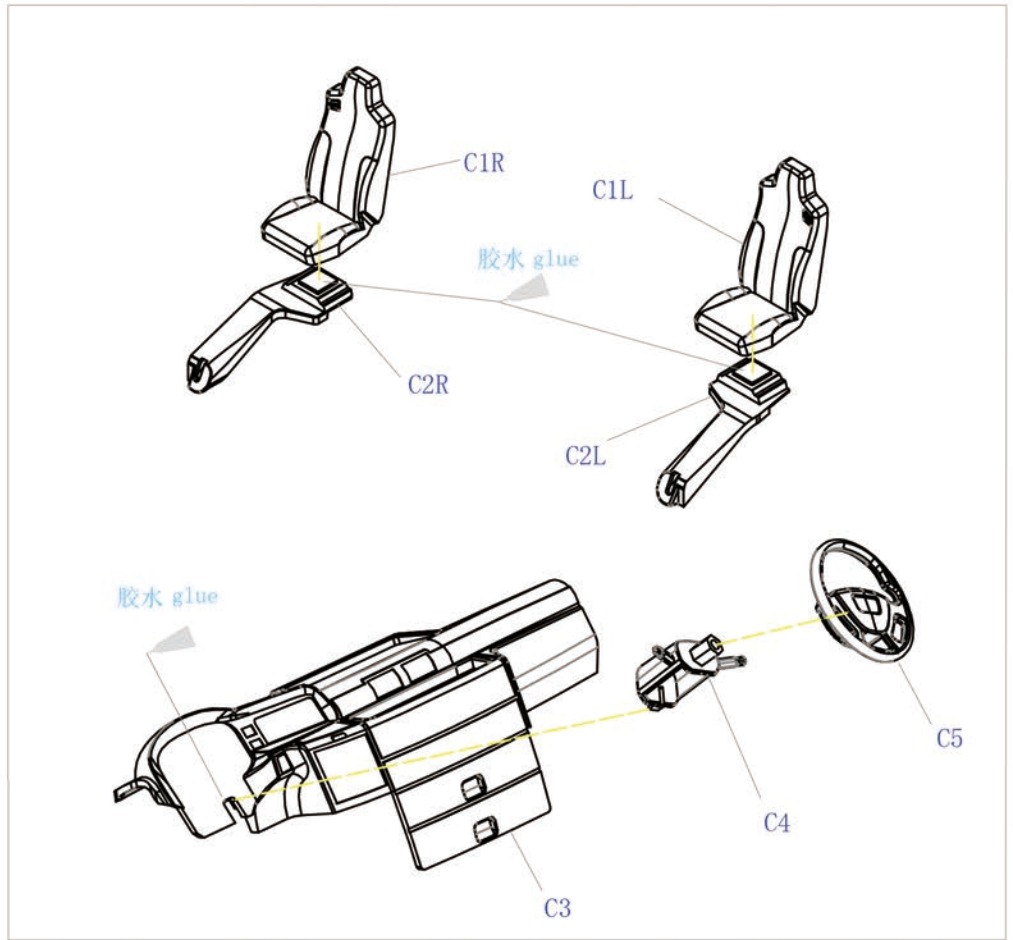
C3



C4



C5



10

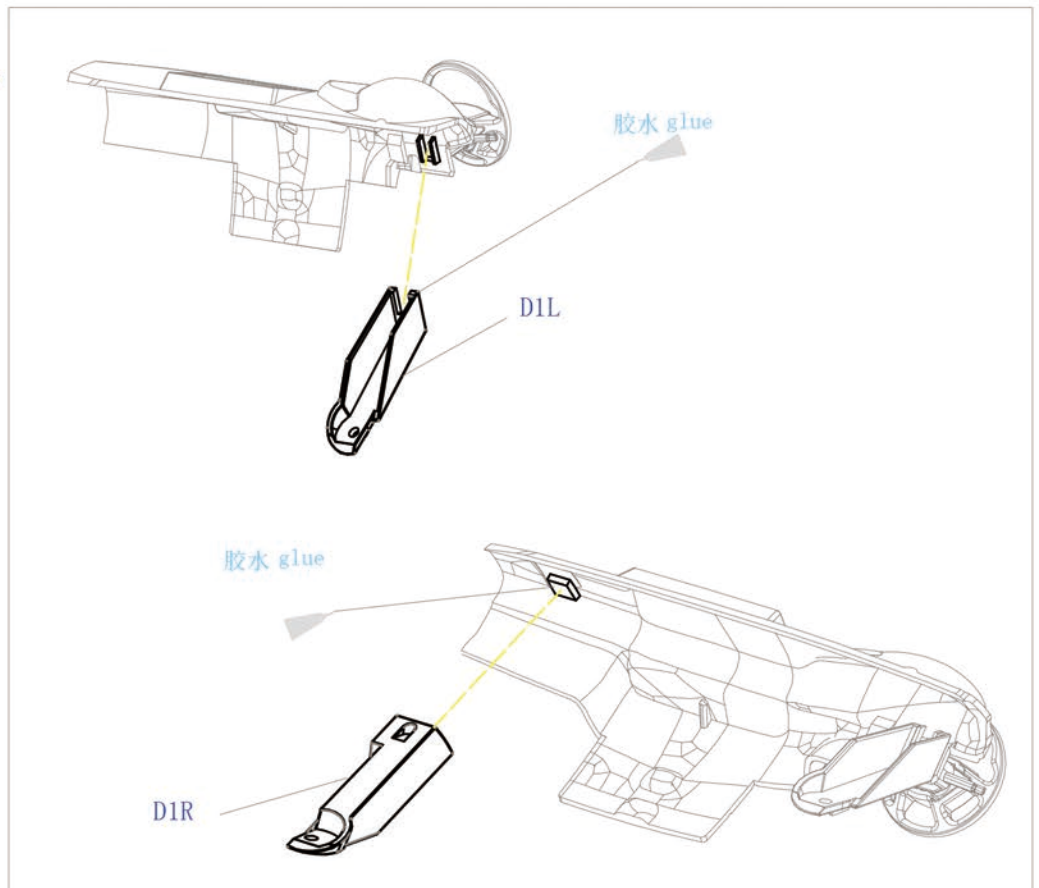
图中胶水不包含在套件内。
This kits doesn't contain glue as in the picture.



D1L


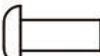


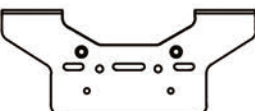
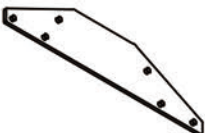


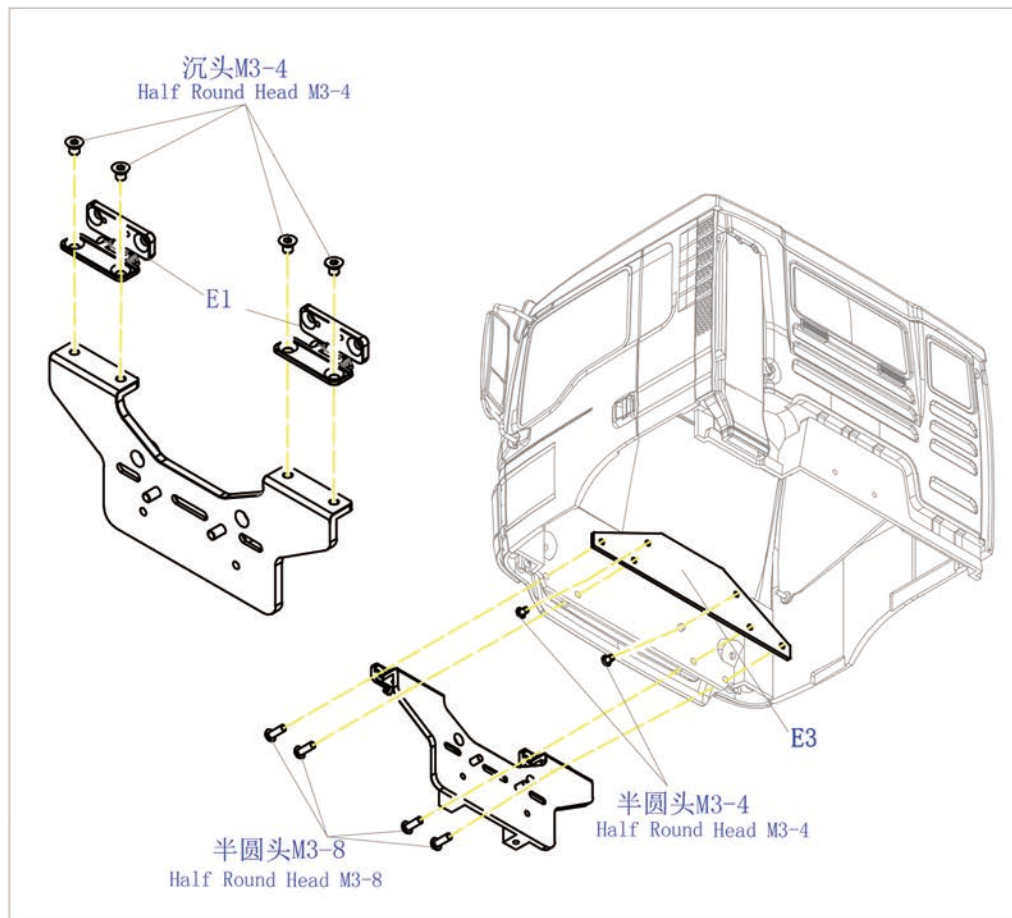
D1R



LESU
MODEL RACING

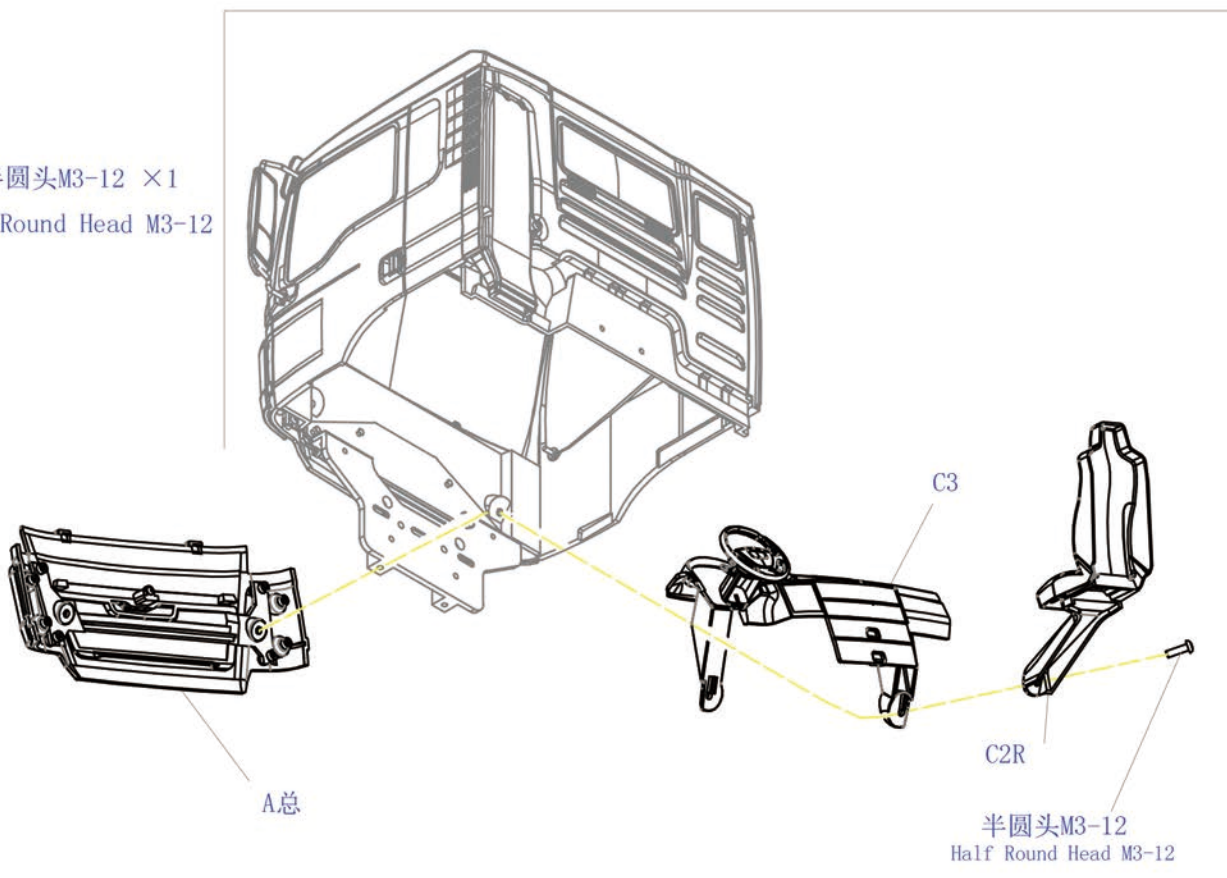
11

-  沉头M3-4 ×4
FLAT M3-4
-  半圆头M3-8 ×4
Half Round Head M3-8
-  半圆头M3-4 ×2
Half Round Head M3-4
-  E1 ×2
-  E2
-  E3

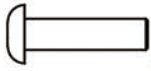


12

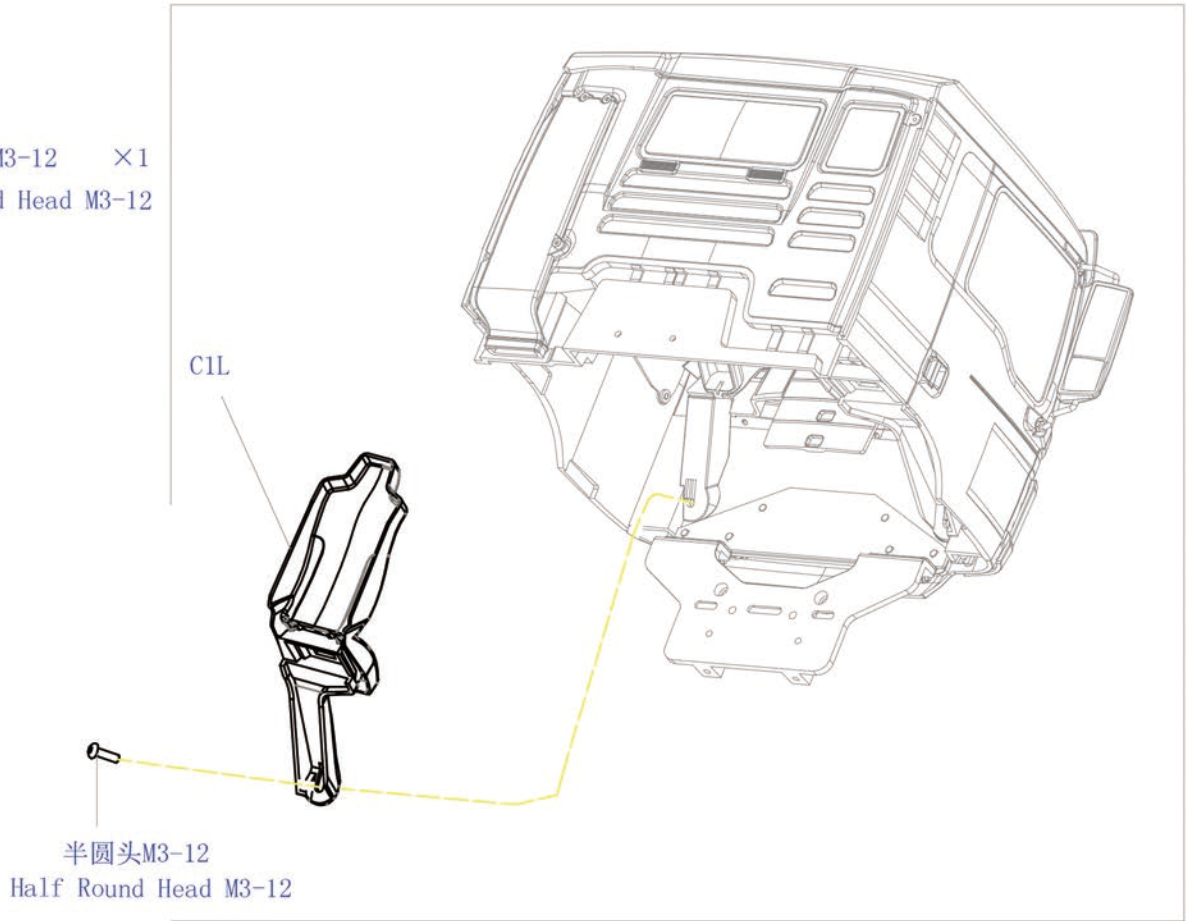
-  半圆头M3-12 ×1
Half Round Head M3-12



13



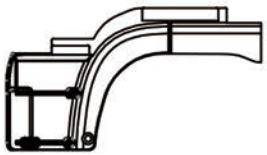
半圆头M3-12 ×1
Half Round Head M3-12



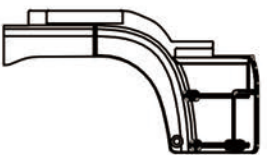
14

图中胶水不包含在套件内。

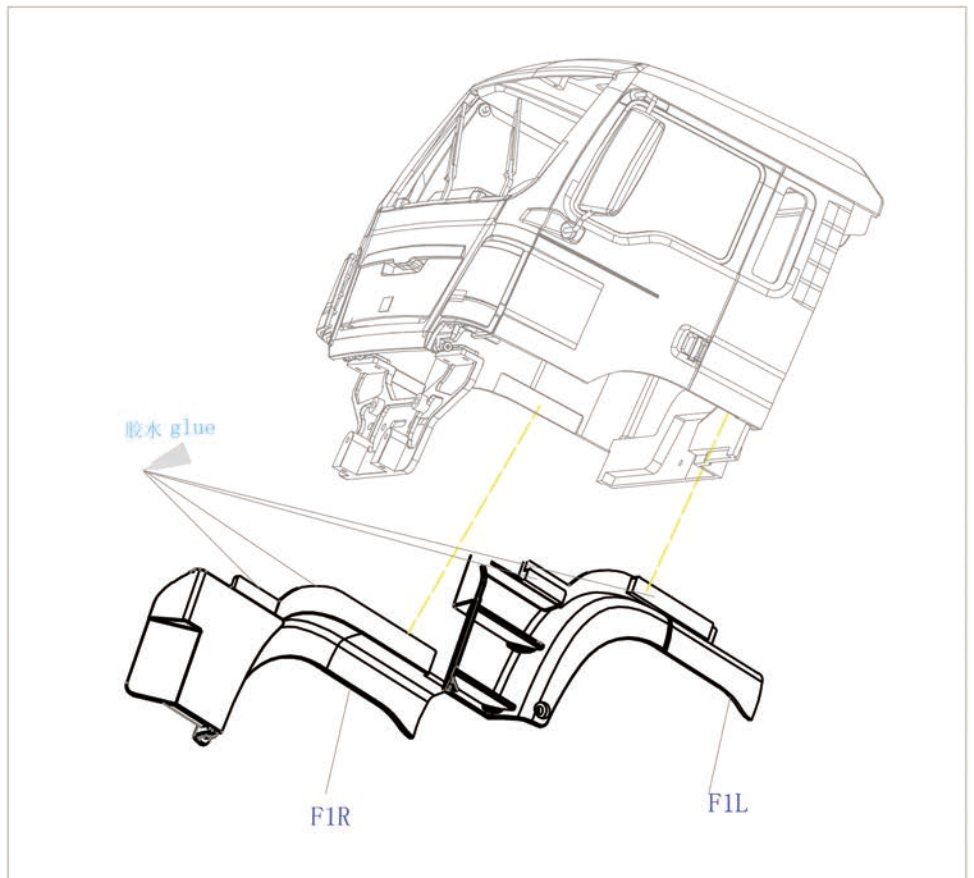
This kits doesn't contain glue as in the picture.



FIL



F1R



LESU
MODEL RACING

15

图中灯珠不包含在套件内。

This kits doesn't contain lights as in the picture.



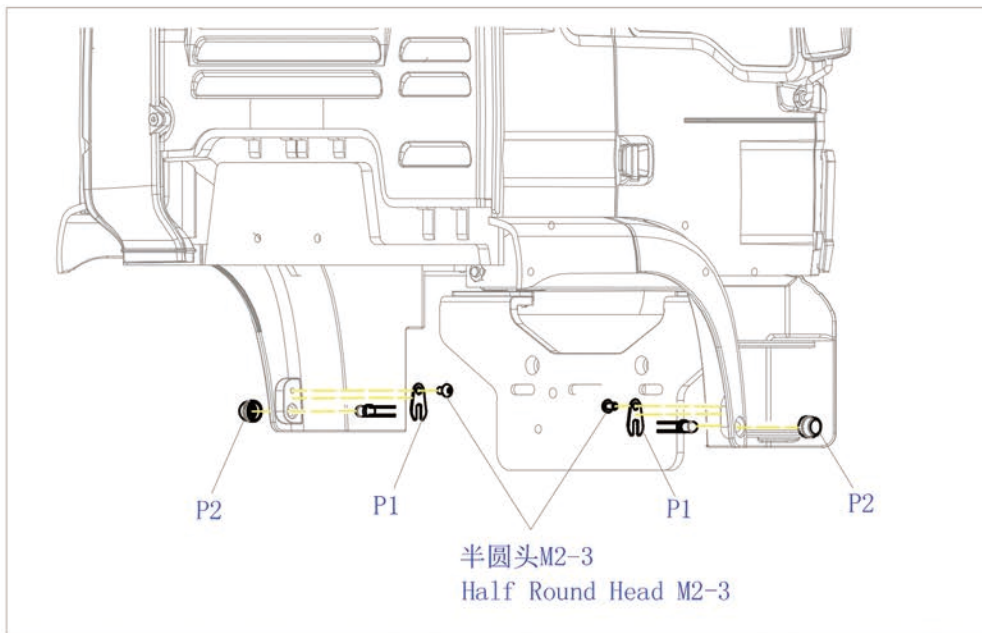
半圆头M2-3 ×2
Half Round Head M2-3



P1 ×2



P2 ×2



16



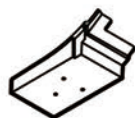
半圆头M2-3 ×4
Half Round Head M2-3



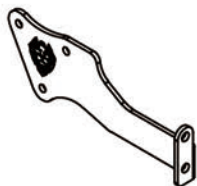
外六角法兰M2-4 ×6
Outer Hexagon Flange M2-4



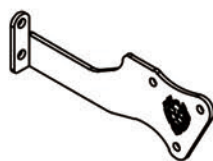
Q1L



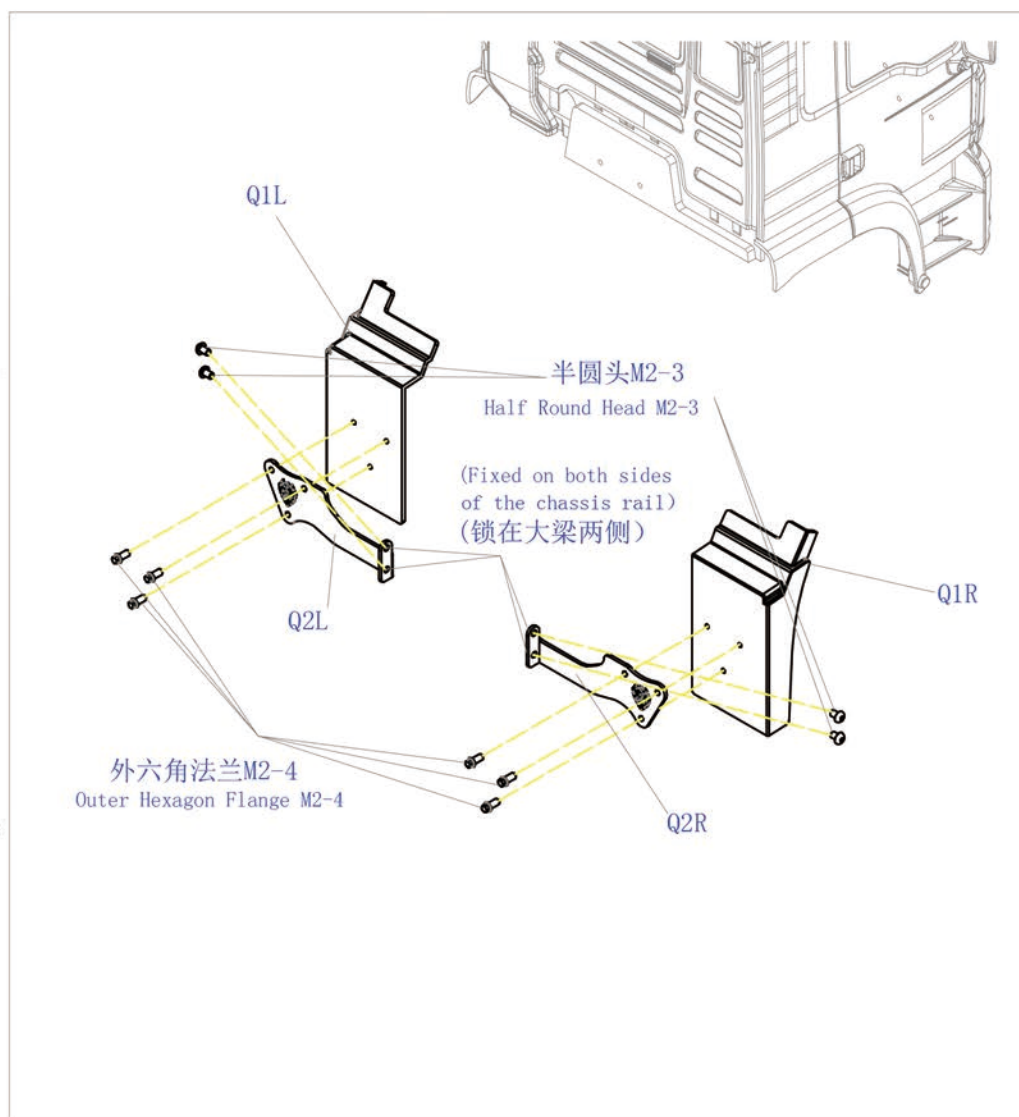
Q1R



Q2L



Q2R



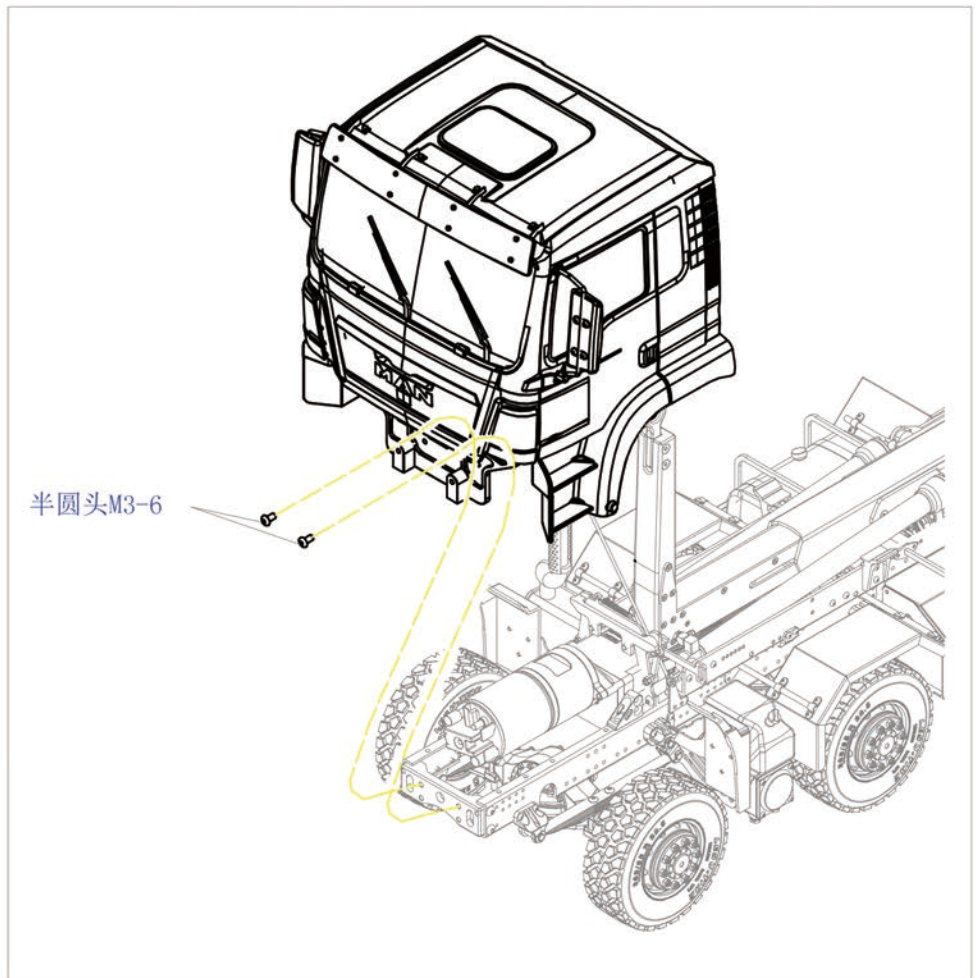
LESU
MODEL RACING

17

图中胶水不包含在套件内。
This kits doesn't contain glue as in the picture.



半圆头M3-6 ×2
Half Round Head M3-6



半圆头M3-6

18

图中胶水不包含在套件内。
This kits doesn't contain glue as in the picture.



外六角M1.2-6 ×2
Outer Hexagon M1.2-6



M1.2六角螺母 ×2
M1.2 Hexagon Nut



半圆头M2-3 ×6
Half Round Head M2-3



S1



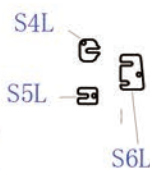
S2



S3L



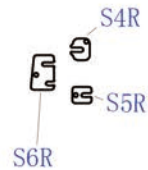
S3R



S4L

S5L

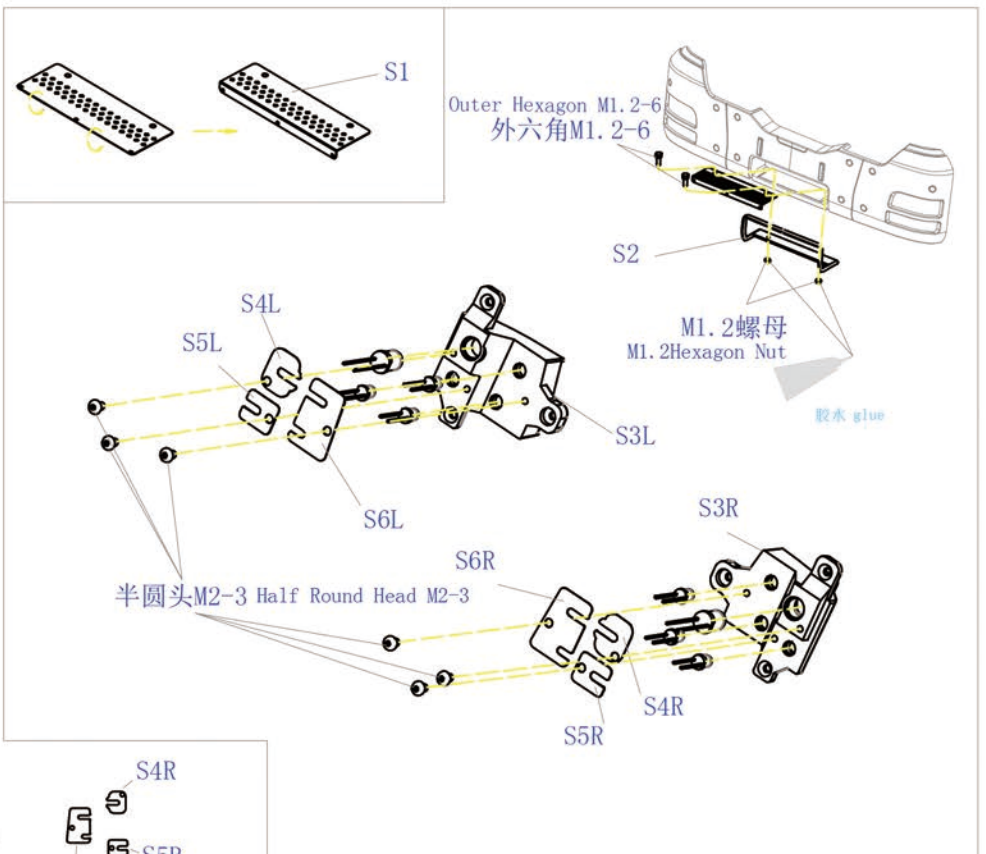
S6L



S4R

S5R

S6R



Outer Hexagon M1.2-6
外六角M1.2-6

S2

M1.2螺母
M1.2Hexagon Nut

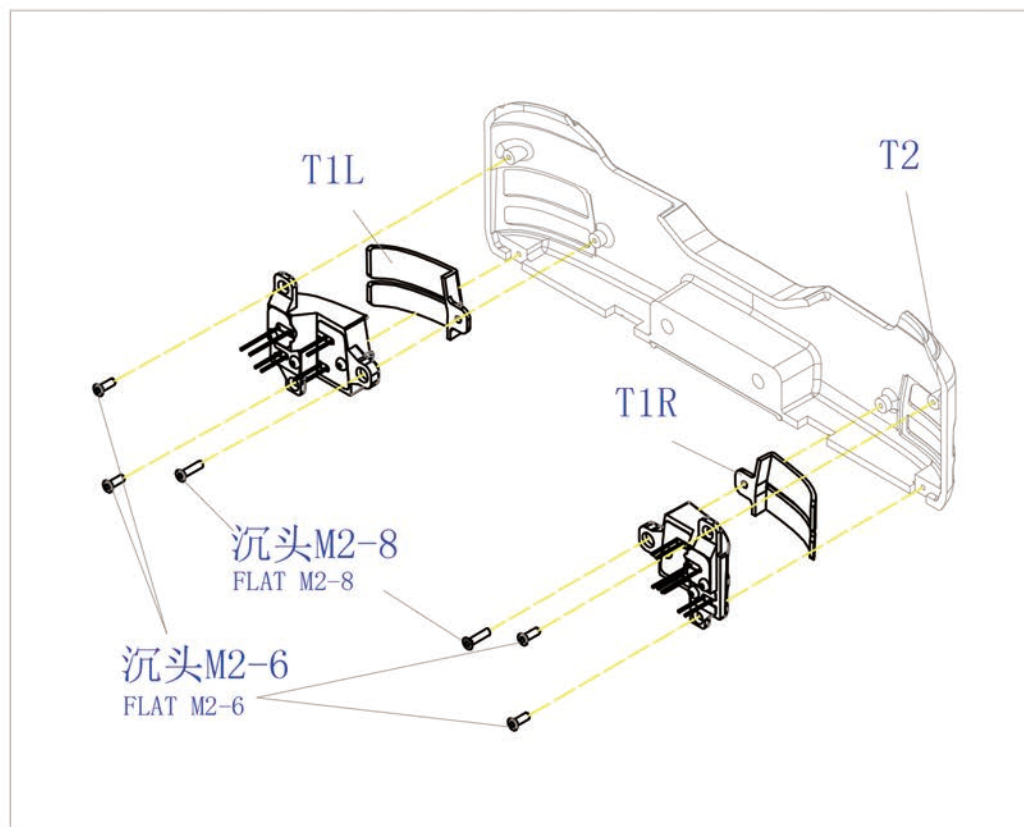
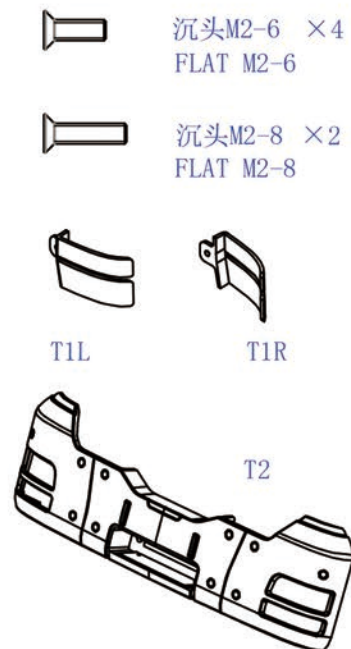
胶水 glue

半圆头M2-3 Half Round Head M2-3

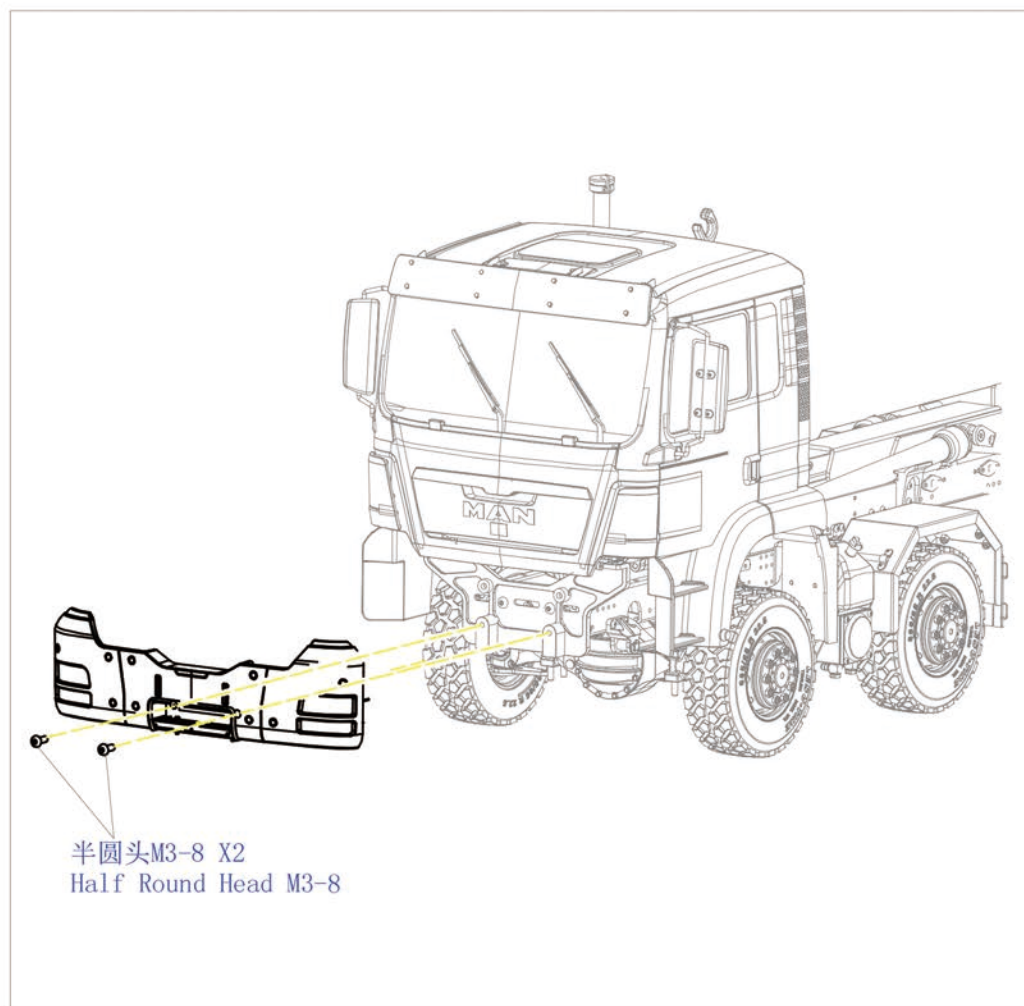
19

图中胶水、灯珠不包含在套件内。

This kits doesn't contain glue and lights as in the picture.



20

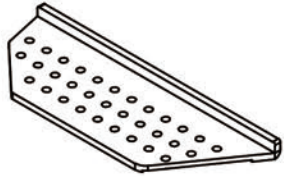


21

图中胶水不包含在套件内。
This kits doesn't contain glue as in the picture.



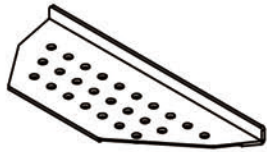
U1L



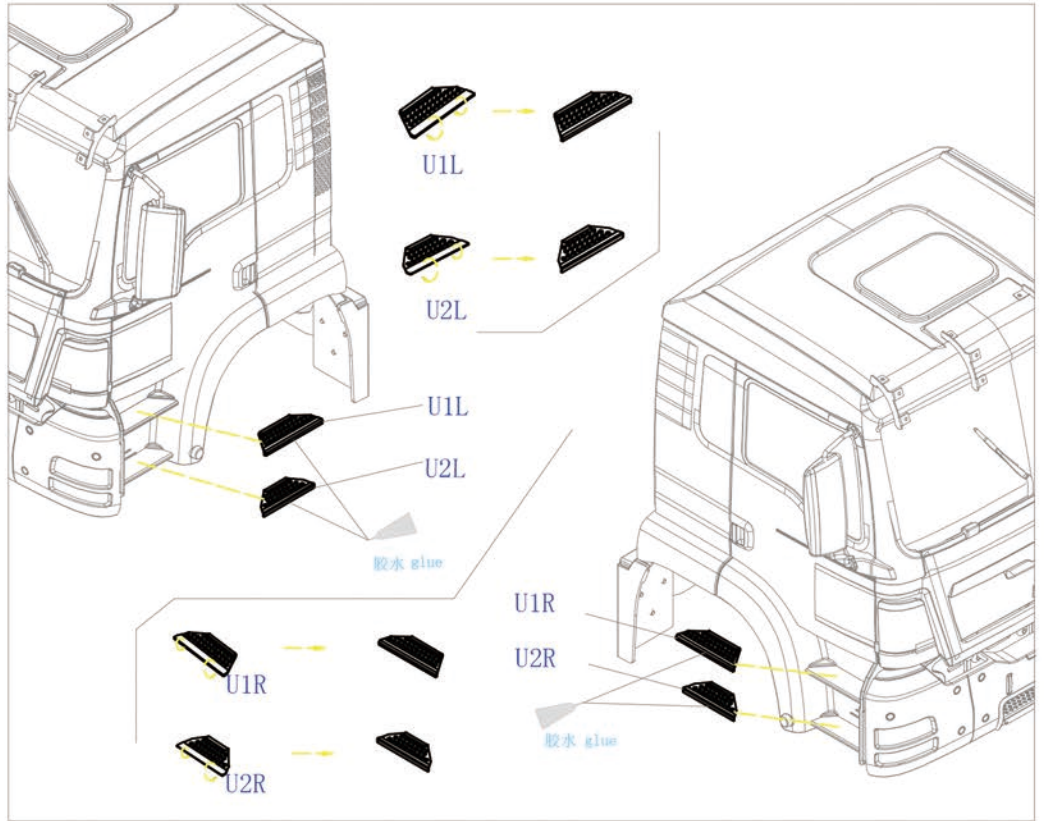
U1R



U2L

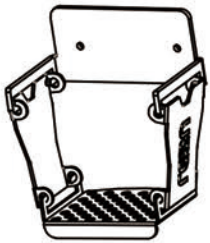


U2R

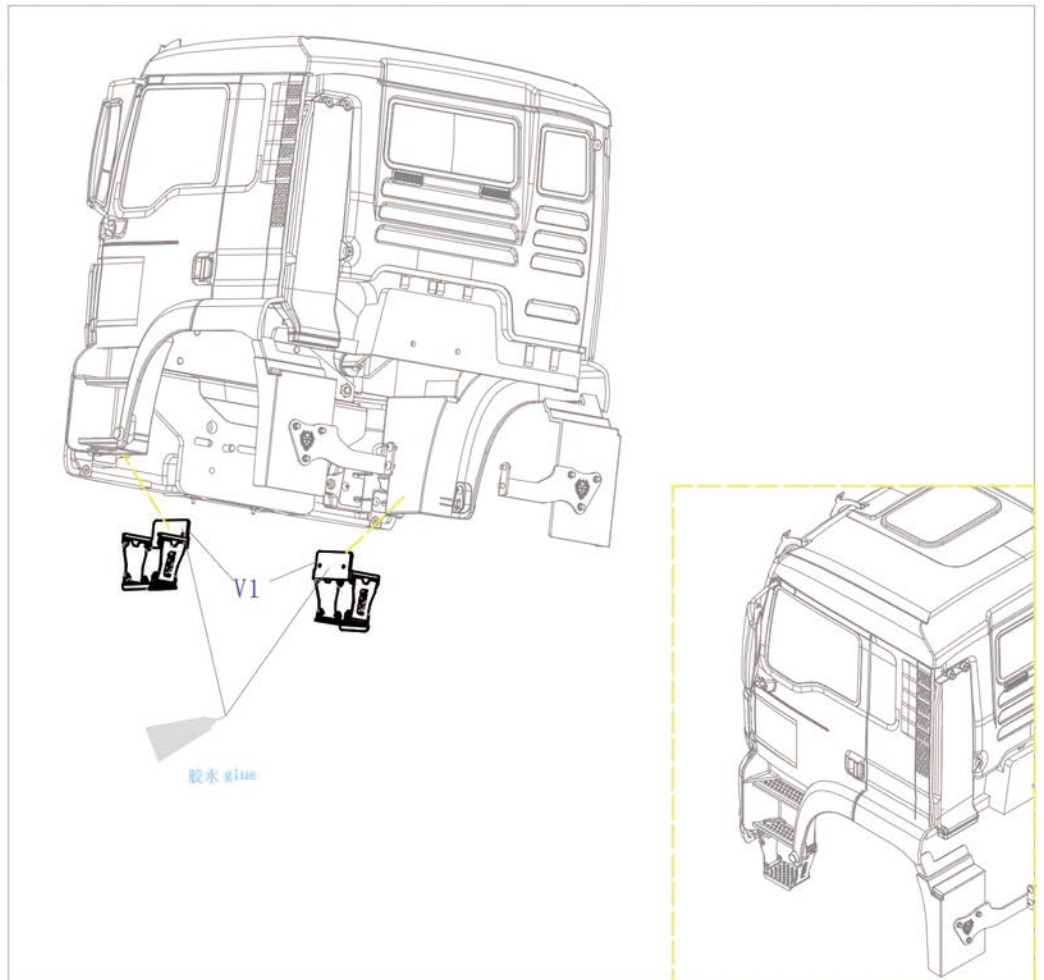


22

图中胶水不包含在套件内。
This kits doesn't contain glue as in the picture.



V1 × 2



LESU
MODEL RACING



MAN-TGS CAR SHELL INSTALLATION INSTRUCTIONS

Website: WWW.RCLESU.COM

Tel: 15913171757

Email: RCLESU@163.COM

Facebook: Woods Pan

**Address: Nanhai District of Foshan City, Guangdong Province,
Danzao Town, LESU Model Technology Co., Ltd.**